

Subject to change without prior notice TPS5630 REV. C 09.03.2018



The TEF9980 Status lights is designed to fulfil the latest requirements of CAA UK CAP 437, as well as operator's needs for products that are cost-effective, reliable, requiring no maintenance and applicable for use in all environments.

The TEF 9980 Status light is available as a main light and a repeater light. Both versions are fully monitored, which eliminates need of redundancy light units. In combination with Tranberg control system the lights can be set up for automatic test intervals, timeouts for both dim level and on and diagnostics.

A status light system should be installed if a condition can exist on an installation which may be hazardous for the helicopter or its occupants. The system should be a flashing red light (or lights), visible to the pilot from any direction of approach and on any landing heading. The aeronautical meaning of a flashing red light is either "do not land, aerodrome not available for landing" or "move clear of landing area". The system should be automatically initiated at the appropriate hazard level (e.g. impending gas release) as well as being capable of manual activation by the HLO.

TECHNICAL DATA

Ex Protection:	Ex II 2 G Ex db op is IIB+H2 T5 Gb
Area of Use:	Hazardous areas Zone 1 or 2, EPL Gb and safe area
Materials:	Powder coated seawater resistant aluminum, tempered glass.
Input Voltage:	16-32V DC
Power, Main Light:	Average: Max. 30W
Power, Repeater Light :	Average: Max. 2.6W
Light intensity, Main Light:	Min. 700cd 2°-10° elevation Min. 176cd 0°-90° elevation
Light intensity, Repeater Light and Main Light in Dim Mode:	Min. 16cd 0°-90° elevation Max. 60cd 0°-90° elevation
Color:	Red. According to ICAO Annex 14. NVG compatible IR LED's.
Flash rate:	Standard Mode: 120 flashes pr. min. «Dim» Mode: 60 flashes pr. min.
Flying lead cable:	Flame retardant, halogen-free and mud resistant. Standard length: 3 meters. Ø17mm ±0.8. BFOU 0,6/1(1,2)kV P5/P12
Ingress Protection:	IP 66/67
Operating temperature:	-40°C to +55°C
Overall dimensions:	200 x 263 x 245 mm (LxWxH) (excluding cable)
Weight:	11.5 kg.

APPLICATION

- Status light as described in CAA UK CAP437, NORMAM-27/DPC and 2009 MODU Code.

FEATURES AND BENEFITS

- Height of light units <25cm. Allows for on-deck installation.
- Automatic monitoring of all light units when in combination with Tranberg control system. No need for redundancy units.
- Maintenance free.
- Night vision goggle (NVG) compatible.
- Low power consumption: Main light, 30W & Repeater light 2,6W.

APPROVALS AND CERTIFICATES

IECEx and ATEX approved

Compliance standards:

CAA UK CAP437:2013, NORMAM-27/DPC:2015, 2009 MODU Code:2010, IEC 60079-0 ed. 6, IEC 60079-1 ed. 7, IEC 60079-28 ed. 2, EN 60079-0:2012/A11:2013, EN 60079-1:2014, EN 60079-28:2015, EN 61000-6-2:2005, EN 61000-6-4:2007, EN 61547:2009, EN 50581:2012, IEC 60533:2015

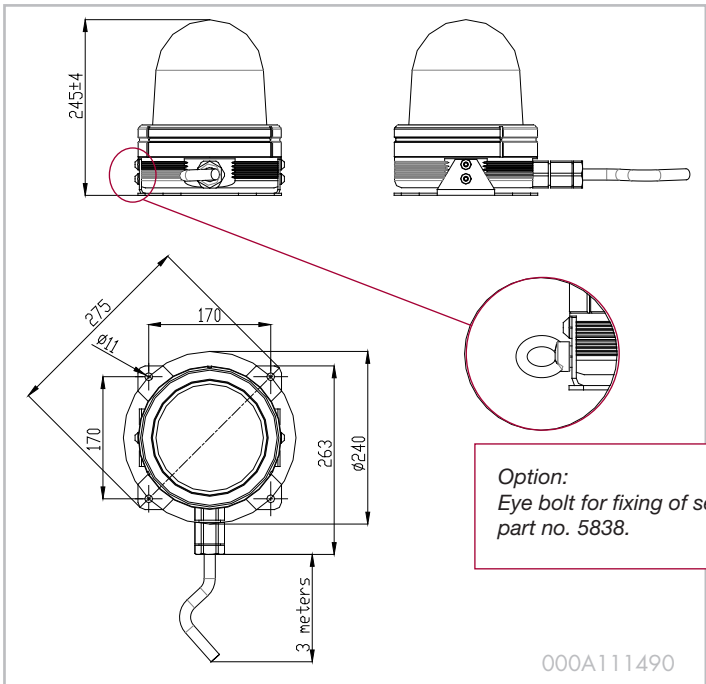
TEF 9980 STATUS LIGHT FOR HELIDECK, MAIN AND REPEATER LIGHT

DESCRIPTION

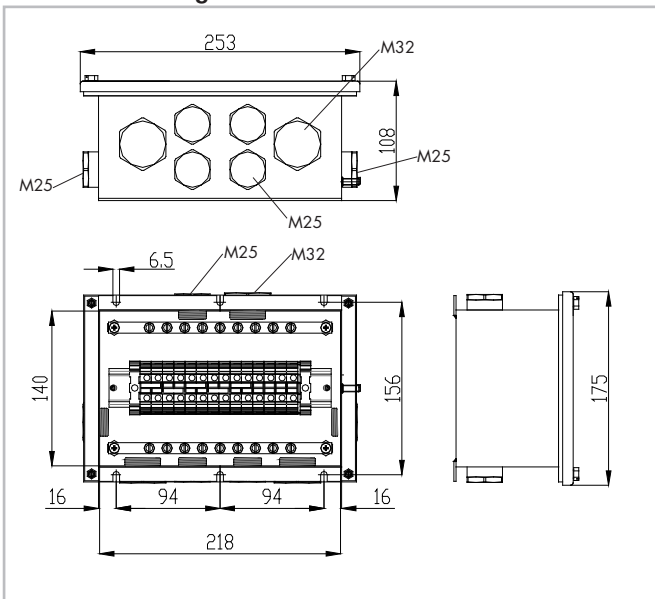
Description	Part No.
TEF9980 Helideck Status Light – Main Light	9980 000
TEF9980 Helideck Status Light – Repeater Light	9980 005
Junction Box for Single Lamp Connection	1058 2089
Junction Box for Single Lamp Connection + Connection to Next Lamp	1058 2589
Eye bolt for fixing of security cable	0000 5838

DIMENSIONS

Status light 9980 000/ 9980 005



Junction box 1058 2589 incl. 1 x cable gland for construction of light



Junction box 1058 2089 incl. 1 x cable gland for construction of light

